



Ref: AMP/GENSET/SHIFTING/KAP/2024
May 07, 2024

TENDER NOTICE

CONSTRUCTION OF GENSET ROOM AT PRINTING PRESS CARPARKING
KARACHI

Seal un-conditional tenders are invited from PIA 'B' class approved enlisted Civil contractors for the subject work. Tender should be addressed to General Manager (Facilities Management) and dropped in Manager Finance Works office (2nd floor PIA Head Office Building Karachi) by May 27, 2024 till 15:00 hrs and will be open on the same day at 15:30 hrs in the office of General Manager Facilities Management. All details regarding the tender can be downloaded from www.piac.com.pk

PKR 20,000 Earnest money (refundable) should be attached with the tender.

On the face of envelop reference must be written AMP/GENSET/SHIFTING/KAP/2024

GENERAL MANAGER
(FACILITIES MANAGEMENT DIVISION)
1ST FLOOR, FLIGHT OPERATION BUILDING
PIA HEAD OFFICE.
Tel: 021-9904640
Email: gm.facilitiesmanagement@piac.aero

COPY TO:

1. FINANCE MANGER(W&P)
2. NOTICE BOARD



TENDER FORM

Ref: AMP/GENSET/SHIFTING/KAP/2024
May 07, 2024

M/s _____

DESCRIPTION OF WORK: -

CONSTRUCTION OF GENSET ROOM AT PRINTING PRESS CARPARKING
KARACHI

Dear Sir,

Please send not later than 27-05-2024 your sealed tenders for the items mentioned in the attached sheet as per following terms and condition.

1. PIA reserves the right to accept or reject any quotations without assigning any reason as per PPRA rules.
2. An earnest-money of **PKR 20,000** in the shape of pay-order/Bank Draft in favor of PIA is to be attached with quotation as earnest money.
3. Tender will be opened by on 27-05-2024 at **15:30** Hours by the under signed in presence of the contractors who care to attend.
4. Your quotation should remain valid up to **Three Months**.
5. Period required for completion of project is **One Month**.
6. All works/sample/design will be executed / approved by the engineer on duty.
7. PIA reserves the right to cancel the work order at any stage of the work without assigning any reason as per PPRA RULE # 33.
8. PIA accepts only standard materials of original manufacturer strictly in accordance with the specifications. Any inferior or sub-standard materials, if used, shall be rejected out-rightly and registration of the contractor concerned may be cancelled.
9. PIA shall have the option to increase or decrease the quantity of any item mentioned in the quotation / work order.

For: **Pakistan International Airlines**

Seal & Signature
Of the contractor



10. The firm to whom the contract is awarded shall have to abide by the rules and regulations mentioned in the work order and as well as the all rules & regulations of PIA, PEC and PPRA.
11. No excuse of non – availability of materials of fluctuation in the market rates etc. shall be accepted after the work order is issued.
12. Security deposit of 10% will be deducted from each bill and same will be returned after six months. In case of any discrepancy found, the same will be withheld without prior notification.
13. If the work is delayed after given time period, Rs. 2000 / day will be deducted, up to max. 10% of total project cost.
14. The attached Performa of permit to work is mandatory job to be followed at the time of award of work. Annexure 'A'

Seal & Signature
Of the contractor

For: **Pakistan International Airlines**


 Ref: AMP/GENSET/SHIFTING/KAP/2024
 May 07, 2024

M/s _____

BOQ

S.No	DESCRIPTION	QTY	UNIT	RATE	AMOUNT(RS)
1	Cutting small opening for pipes etc, as specified.	4.24	Cum		
2	Excavation as hard soil but rock not required blasting as specified	3.82	Cum		
3	Providing and laying of PCC solid blocks for non load bearing walls incl setting and jointing upto GF roof .	9.0	Cum		
4	P/L RCC with 3000 compressive cylindrical strength in roof slabs, landings, walls , plinth beams including form work .(Reinforcement measured and paid separately	6.62	Cum		
5	S/F bars round using deformed bars grade-60 including cutting, bending, binding and placing reinforcement in position.	280	Kg		
6	02 coats of Distempering with poly Vinyl Distemper or equivalent with filling complete work.	106	Sqm		
7	02 coats of painting to doors/windows on new or old with synthetic enamel including filling complete work	78	Sqm		
8	19 mm thick cement plaster with ratio 1:4 complete as specified	49.80	Sqm		
9	P/L precast RCC slab length exceeding 1.398 M and not exceeding 1.98 M	35.3	Sqm		
10	P/L precast pre stressed RCC Girders size 127 x 356 mm (Span upto 7.391M)	36	Metre		
11	P/L Lean concrete 1:4:8 including form work complete as specified	0.37	Cum		

 For: **Pakistan International Airlines**

 Seal & Signature
 Of the contractor

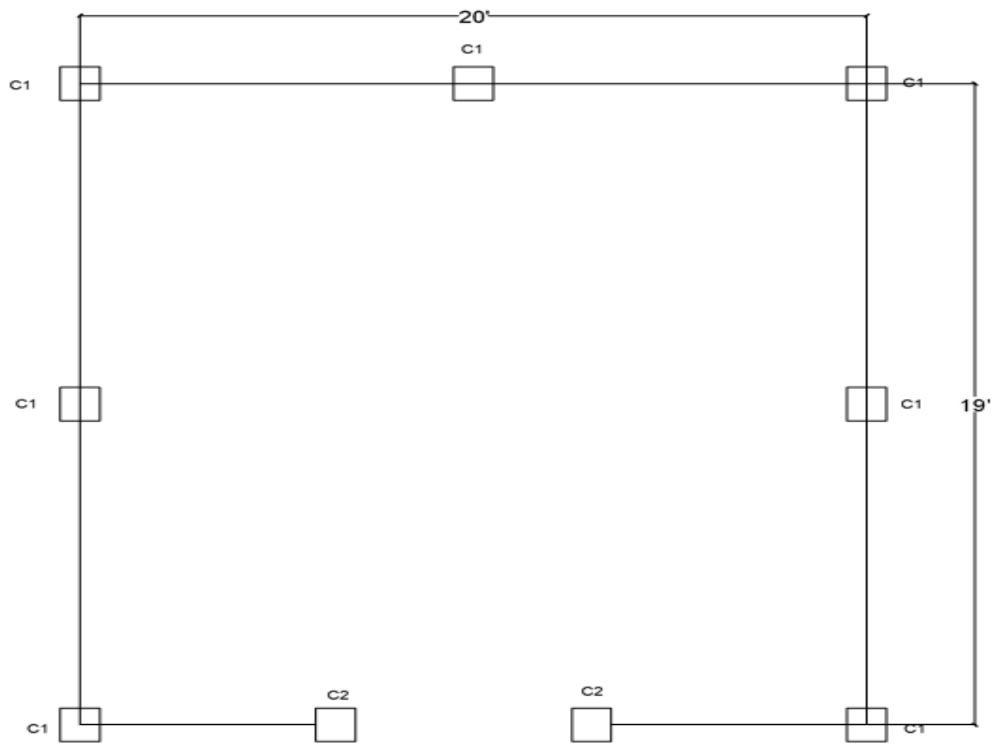
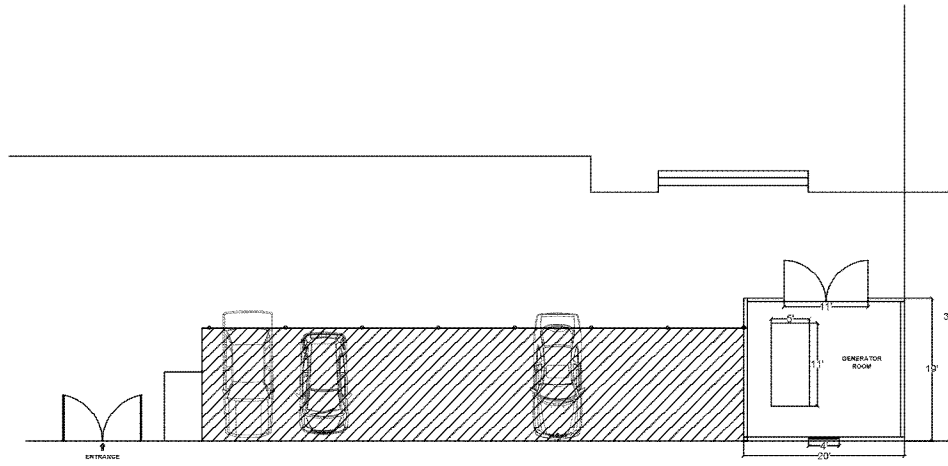


12	P/L PCC 1:3:6 including form work complete as specified	4.83	Cum		
13	P/F of Pad lock	1	Each		
TOTAL AMOUNT RS.					

- Must be inclusive of all taxes.
- All contractors are advised to ensure prior visit of site before submitting the tender, for assessment of job, but not mandatory.
- The amount quoted should include transportation charges if applicable.
- All required Personal Protective Equipment should be made available by contractor before start of work, the same will be verified by PIACL Safety department.

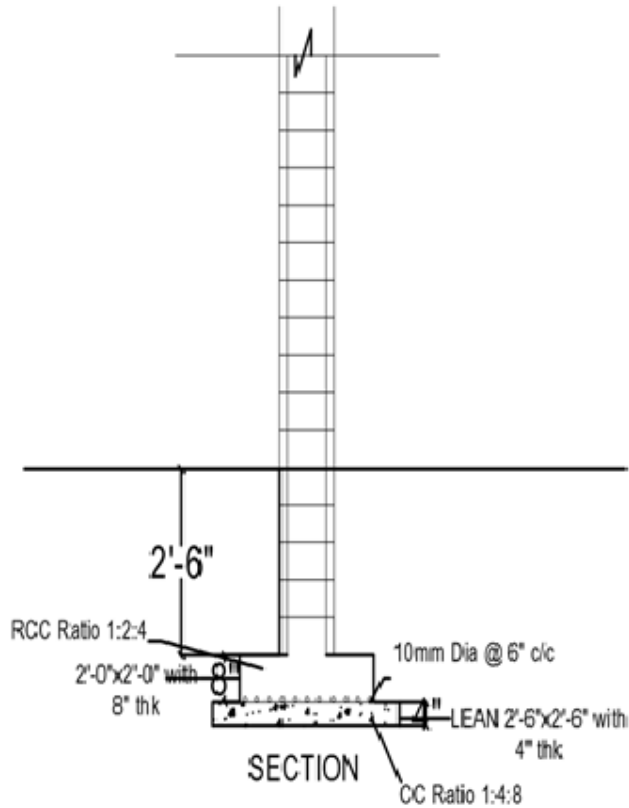
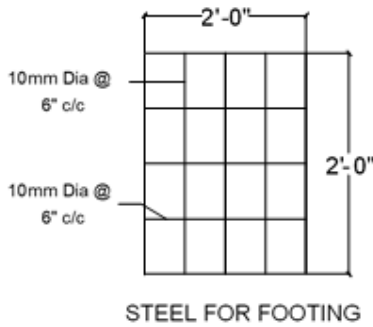
Seal & Signature
Of the contractor

For: **Pakistan International Airlines**



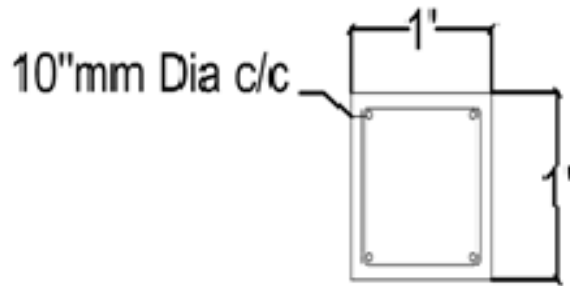
Seal & Signature
Of the contractor

For: **Pakistan International Airlines**



Seal & Signature
Of the contractor

For: **Pakistan International Airlines**



STEEL FOR COLUMN

Seal & Signature
Of the contractor

For: **Pakistan International Airlines**



ANNEXURE 'A'

PERMIT TO WORK

Seal & Signature
Of the contractor

For: **Pakistan International Airlines**